


QUESTIONS OR CONCERNS CONTACT CANARM AT:

1-800-265-1833 (English) / 1-800-567-2513 (French)  
Monday through Friday 8:00 AM to 5:00 PM E.S.T.



"INSTRUCTIONS PERTAINING TO RISK OF FIRE OR INJURY TO PERSONS"  
"READ ALL INSTRUCTIONS"

## "IMPORTANT SAFETY INSTRUCTIONS"

"SAVE THESE INSTRUCTIONS"

### TOOLS AND MATERIALS REQUIRED:



Blade  
Screwdriver



Wire Cutters

Wiring supplies as required by the Canadian Electrical Code and/or the Quebec Electrical code

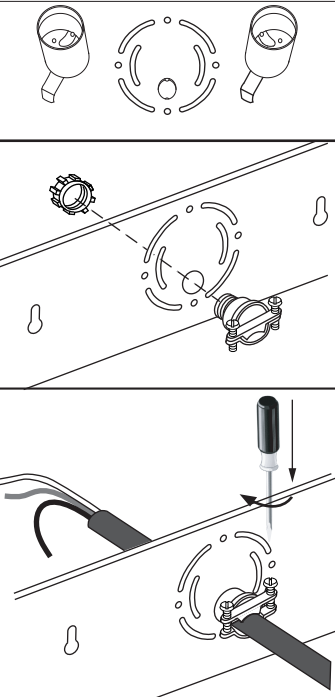
### SAFETY PRECAUTIONS:

1. **TURN OFF ELECTRICAL POWER BEFORE STARTING INSTALLATION OF LIGHT FIXTURE.**
2. **THIS PRODUCT MUST BE INSTALLED IN ACCORDANCE WITH THE APPLICABLE INSTALLATION CODE BY A PERSON FAMILIAR WITH THE CONSTRUCTION AND OPERATION OF THE PRODUCT AND THE HAZARDS INVOLVED.**
3. **CONNECT THE GROUND WIRE (BARE COPPER OR GREEN) FROM YOUR FIXTURE TO THE GROUND WIRE (BARE COPPER OR GREEN) OR GROUND SCREW IN THE ELECTRICAL OUTLET BOX.**

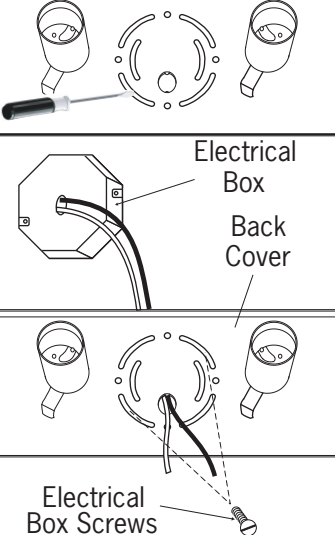
**NOTE: Product May Not Look Exactly As Shown In Figures.**

### INSTALLATION:

**Style-1**



**Style-2**

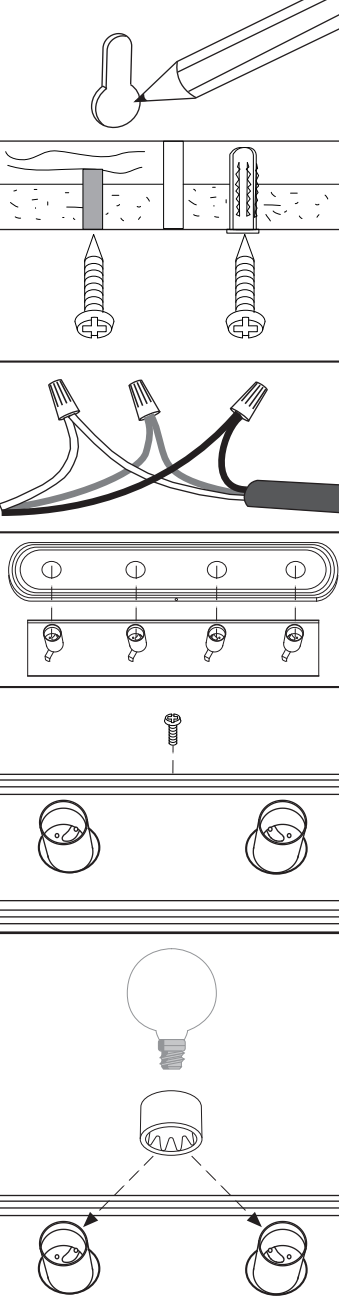


#### Style-1: Strain relief installation if outlet box is not available.

1. Remove fixture from box and remove back cover is applicable.
2. Secure a UL recognized or listed wire coupling or strain relief (not included) through the centre hole. Use pliers to tighten the lock nut against the wire coupling and ensure the wire coupling is grounded properly to the fixture.
3. Feed power cords or armoured cable through the wire coupling. Secure the cable by tightening the two screws on the wiring coupling.

#### Style-2: Outlet box mounting installation.

1. Remove fixture from box and remove back cover is applicable. Align knock slots of back cover over outlet holes choose correct slots and remove metal knock out.
2. Feed power cords from the outlet box through the centre hole of the back cover. Align holes of back cover over outlet box and secure with outlet box screws (not included).



#### Required for some models:

4. Mark position of the keyslot holes on the fixture with a pencil in the mounting surface. Mount fixture by wood screws on wooden studs or plastic wall anchors on drywall. Make sure fixture is level. Narrow end of the keyhole slot should face up, attach with appropriate fasteners, the back mounting must be securely affixed to the structure.
5. Connect the ground white (bare copper or green) from your fixture to the ground (bare copper or green) AC supply wire. Connect the black wire from fixture to the black AC supply wire and connect the white wire from fixture to the white AC supply wire. Ensure that no bare wires are exposed outside the electrical connections.
6. Tuck power wires in place to prevent interference. Place front cover on back plate.
7. Secure front cover to back cover using screws or cap nuts depending on style of fixture.
8. Install decorative covers over sockets. Install proper bulb type and wattage (not included).